

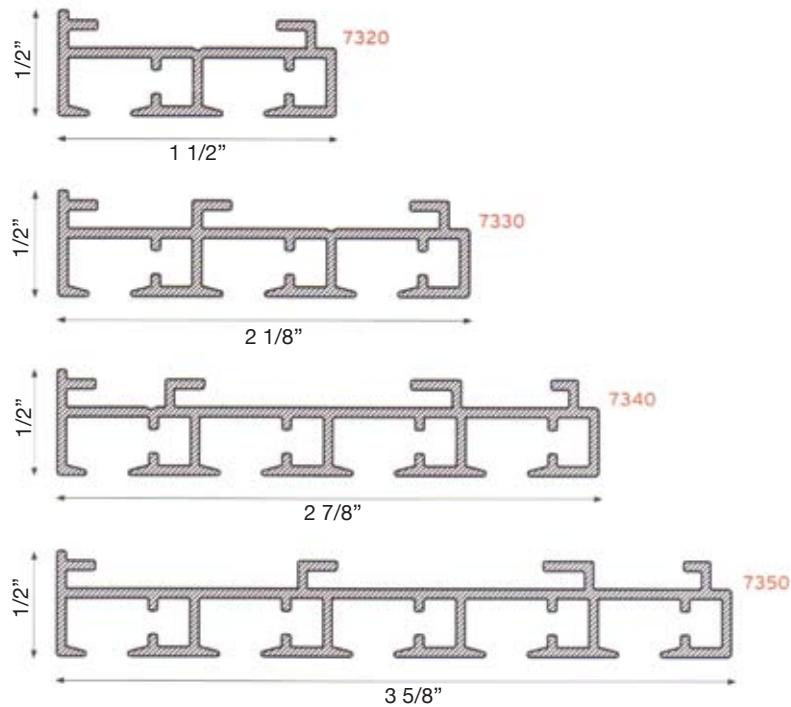
# 7300

ROLLER PANEL  
SYSTEMS  
# 7300-SERIES

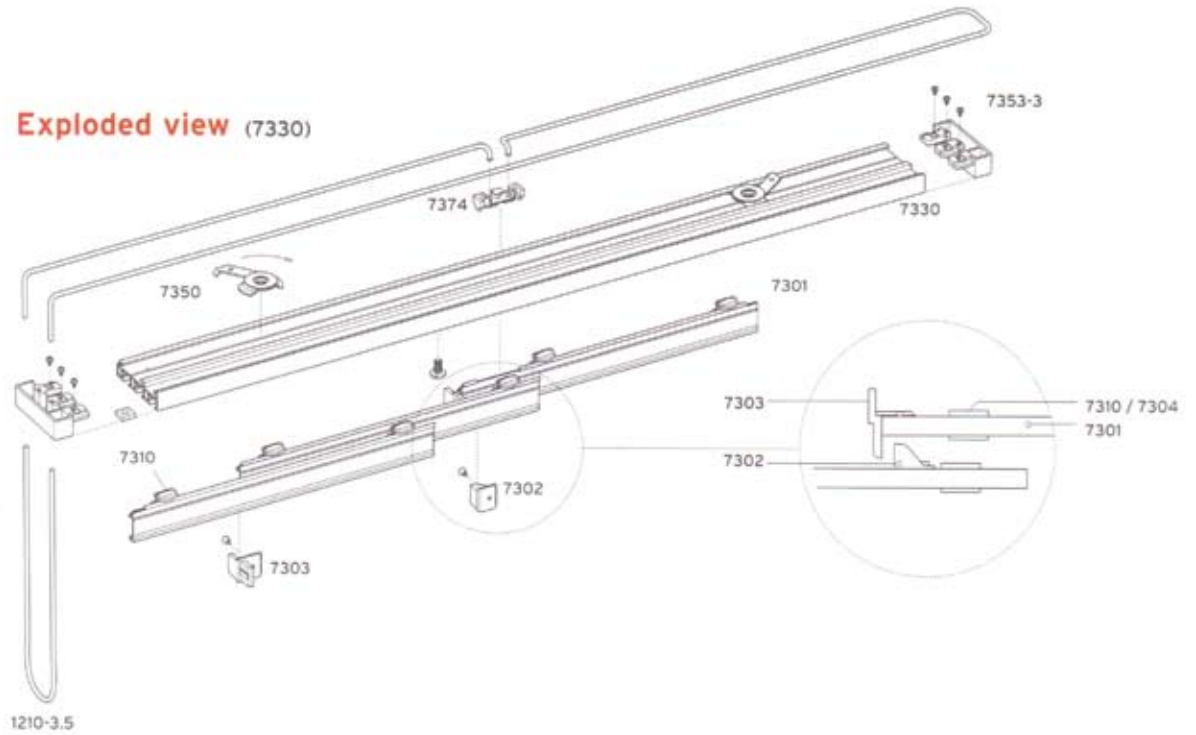




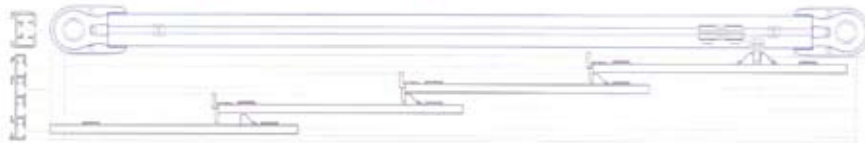
**Roller Panel System 7300 offers a contemporary alternative to the classic curtain.** Using flat fabric panels, intricate designs and textures are shown to their fullest extent. The system offers several methods of operation. Free unlinked panels provide shading where needed while still maintaining a visual aspect. Linked panels are used with electrical (in combination with Track 6200), corded or draw-rod operation and can also be used as a room divider providing flexible accommodation. Discover the versatility of the 7300 series!



## Exploded view (7330)



## Combination product example 7300 + 6200 for electrical operation



## Panel positioning

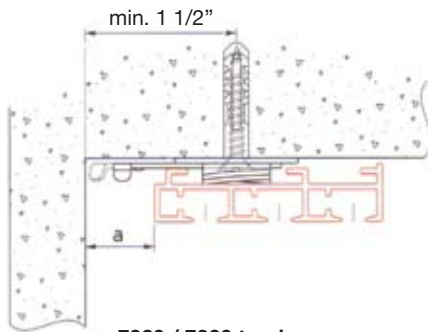
	2-TRACK	3-TRACK
single stack	A	A
split stack	B	B
	4-TRACK	5-TRACK
single stack	A	A
split stack	B	B
	C	C

With a split stack arrangement, the lead panels must run in different channels to achieve an overlap.

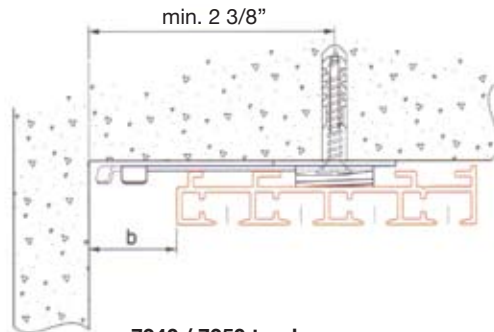
A split stack arrangement like this is therefore not advised.



## Installation



**7320 / 7330 tracks:**  
To allow rotation of the fixing clamps a minimum clearance of 3/4" (a) must be provided between the rail and the wall.



**7340 / 7350 tracks:**  
To allow rotation of the fixing clamps a minimum clearance of 7/8" (b) must be provided between the rail and the wall.

